

# SUBFRAME B



## WHY SUBFRAME B

- For STAGE82
- For indoor and outdoor use
- Easy to level
- Extremely easy and fast to build and use
- Adjustable in height
- Integration in roof systems (can replace ground ring)
- Made by reinforced profile
- Internal diagonals integrated
- No adapters needed
- Offers space for ballast
- Rigid construction: can be calculated as ballast weight

Max 750 kg/m<sup>2</sup>

Lateral loading 10%

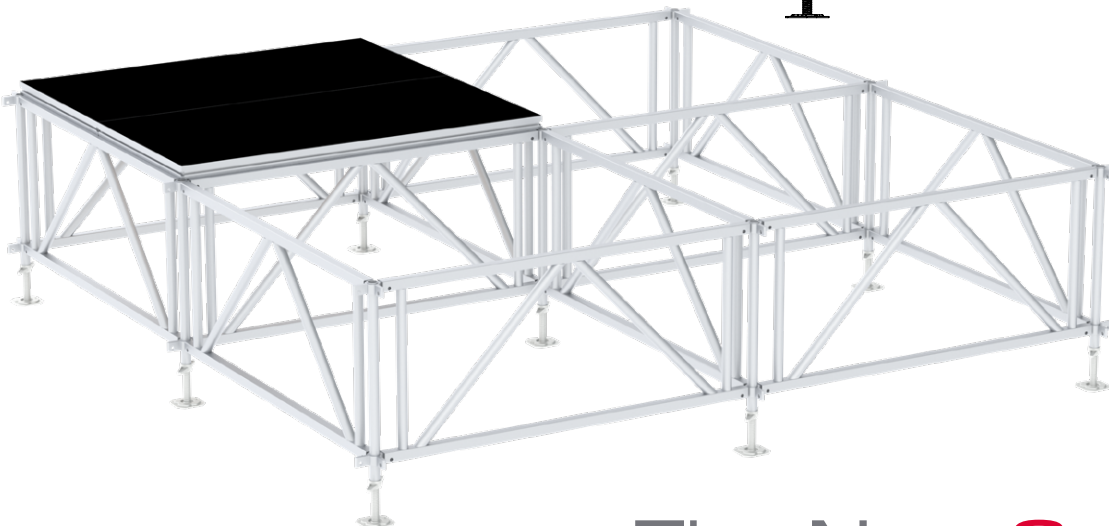
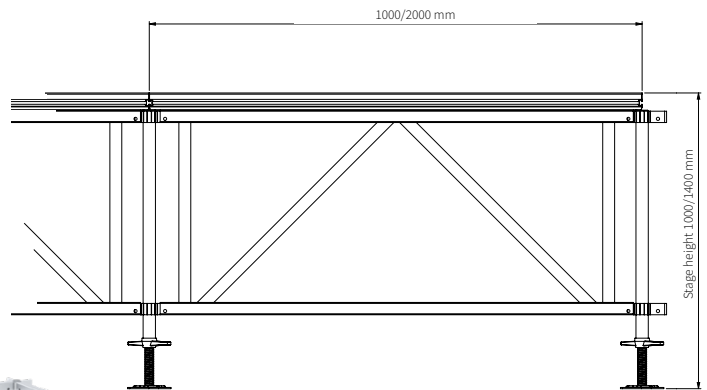
## STAGE HEIGHT

1.2 m	1.6 m	2.0 m
1.0 to 1.4 m	1.4 to 1.8 m	1.8 to 2.2 m

All frames are available in 1 and 2 meter

## PARTS

341004	Leg Subframe B120 Stage82
341005	Rack Subframe B120 Stage82 200x120
341006	Rack Subframe B120 Stage82 100x120
341007	Leg Subframe B160 Stage82
341008	Rack Subframe B160 Stage82 200x160
341009	Rack Subframe B160 Stage82 100x160
341010	Leg Subframe B200 Stage82
341011	Rack Subframe B200 Stage82 200x200
341012	Rack Subframe B200 Stage82 100x200
811008	L-Pin 16x135 drop nose
251009	Scaff Spindle 60cm



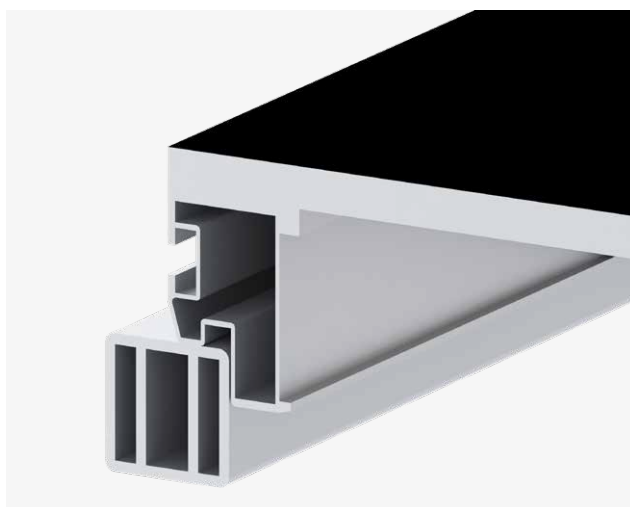
# The New Original

[www.sixty82.nl](http://www.sixty82.nl)

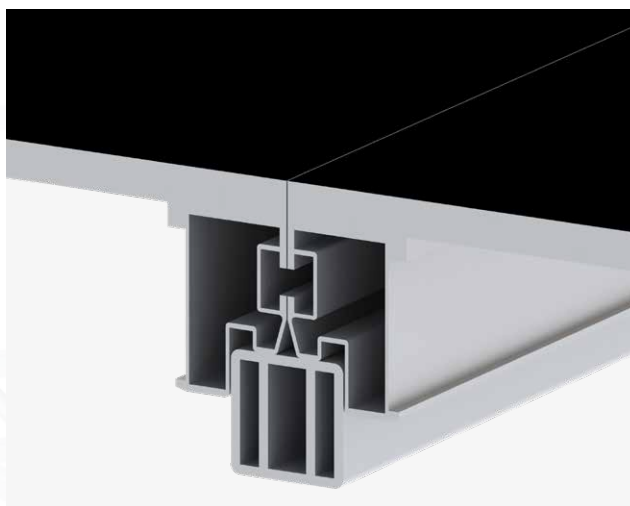
# SUBFRAME B



NO ADAPTERS NEEDED



cross section view



cross section view

The New **Original**

[www.sixty82.nl](http://www.sixty82.nl)